



## Power Supply Systems Decoupling element

### DEHNbridge Decoupling element

**Red / Line**

For coordinating lightning current arresters (DEHNbloc, DEHNport and DEHNbloc NH) and surge arresters (DEHNguard 275, DEHNguard T 275, VNH 280, VANH 280) with respect to their energy capability at a lightning impulse current of 10/350µs.

Tested with lightning impulse current (10/350) in accordance with DIN V ENV 61024-1 (VDE V 0185 Part 100), DIN VDE 0185-103.

- the concentrated inductance is to replace the cable length otherwise necessary for decoupling of lightning current and surge arresters
- installation of the protection devices directly side by side without any problems
- transition from lightning protection zone 0<sub>A</sub> – 2 within the Lightning Protection Zones Concept is possible on a minimum of space
- multi-function terminals for connecting conductors and busbars

See Installation Instructions No. 1207 (35 A) and 1233 (63 A) for further information on use.

Technical Data:

DEHNbridge		35 A	63 A
tested to		DIN IEC 85 (VDE 0301 Part 1):1993-03 DIN VDE 0532 Part 1:1982-03 EN 60950:1995-10	
nominal voltage	U <sub>N</sub>	500 V~/~	
nominal frequency	f <sub>N</sub>	50 Hz	
nominal current	I <sub>N</sub>	35 A	63 A
nominal inductance	L <sub>N</sub>	15 µH ± 20%	
backup fuse (only required if not already provided in mains)		35 A gL/gG	63 A gL/gG
short-circuit withstand capabil. with max. backup fuse		50 kA / 50 Hz	
DC resistance	R <sub>cu</sub>	approx. 4 mΩ	approx. 2 mΩ
operating temperature range (appliance with self-heating)	ϑ	– 40° C ... + 115° C	
cross-sectional area		min. 1.5 mm <sup>2</sup> single-/fine-stranded max. 35 mm <sup>2</sup> multi-/ 25 mm <sup>2</sup> fine-stranded	min. 10 mm <sup>2</sup> single-/fine-stranded max. 50 mm <sup>2</sup> multi-/ 35 mm <sup>2</sup> fine-stranded
mounting on		35 mm DIN-rail in accordance with EN 50022	
enclosure material		red glass fibre reinforced thermoplastic	
degree of protection		IP 20	
installation width		2 modules, DIN 43880	4 modules, DIN 43880
approval		KEMA, MEEI UL pending	

Note: Solutions for higher nominal current values on request.

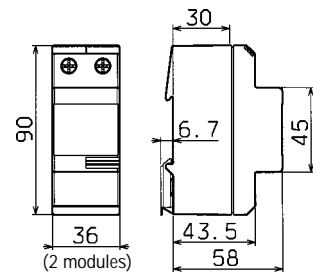
### DEHNbridge

Type	Version	Article No.
DEHNbridge	35 A	900 121
DEHNbridge	63 A	900 122

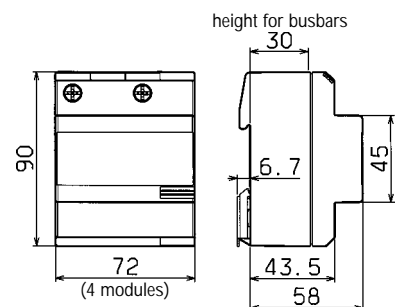
DEHNbridge 35 A



Dimensional drawing of  
DEHNbridge 35 A



Dimensional drawing of  
DEHNbridge 63 A



Basic circuit diagram of  
DEHNbridge 63 A

