



Power Supply Systems Class I Lightning Current Arresters

DEHNport® Lightning current arrester

Red / Line

For integrating power supply lines into the lightning protection equipotential bonding system. For installation within the Lightning Protection Zones Concept at the boundaries from lightning protection zone 0_A – 1.

European patent.

For protecting low-voltage installations against surges, also in case of **direct lightning strikes** (in overvoltage category IV in accordance with DIN VDE 0110-1: 1997-04).

Tested with **lightning impulse current** (10/350) in accordance with DIN V ENV 61024-1 (VDE V 0185 Part 100), DIN VDE 0185-103.

Class I arrester in accordance with E DIN VDE 0675-6:1989-11 and -6/A1:1996-03.

- **tandem gliding spark gap** with "breakwater function" permits **energy coordination** with subsequent varistor-type surge arrester, e.g. **DEHNgard** and/or the equipment to be protected
- very high energy capability
- reduced frequency of mains follow currents
- possible installation upstream the meter due to high insulation resistance
- 1-pole version permits the installation in up to four poles depending on the type of mains (up to 100 kA lightning impulse current load 10/350 possible depending on the type of mains)

See Installation Instructions No. 1165 (255 V) and 1179 (440 V) for further information on use.

Technical Data:

DEHNport		255 V~	440 V~
tested to		E DIN VDE 0675-6:1989-11 and -6/A1:1996-03	
rated voltage (maximum continuous operating voltage)	U_c	255 V / 50 Hz	440 V / 50 Hz
follow current exting. capabil. at U_c	I_f	4 kA _{rms}	750 A _{rms}
lightning impulse current 1-pole (10/350)	I_{imp}	75 kA	
2- and multi-pole		100 kA	
voltage protection level lightn. imp. sparkover volt. 1.2/50	U_p	≤ 3.5 kV	
response time	t_A	≤ 100 ns	
backup fuse (only required if not already provided in mains)		250 A gL/gG	63 A gL/gG
short-circuit withstand capability with max. backup fuse		50 kA / 50 Hz	25 kA / 50 Hz
operating temperature range	ϑ	– 40° C ... + 80° C	
cross-sectional area		min. 10 mm ² single-/fine-stranded max. 50 mm ² multi-stranded/35 mm ² fine-stranded	
insulation resistance	R_{isol}	≥ 10 ³ MΩ	
mounting on		35 mm DIN-rail in accordance with EN 50022	
enclosure material		red glass fibre reinforced thermoplastic	
degree of protection		IP 20	
installation width		2 modules, DIN 43880	
approval		KEMA, MEEI	

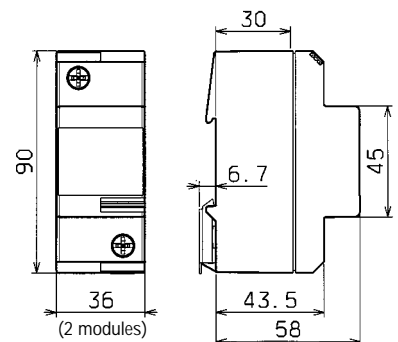
DEHNport®

Type	Version	Article No.
DEHNport	255 V~	900 100
DEHNport	440 V~	900 101

DEHNport®



Dimensional drawing of DEHNport®



Basic circuit diagram of DEHNport®

